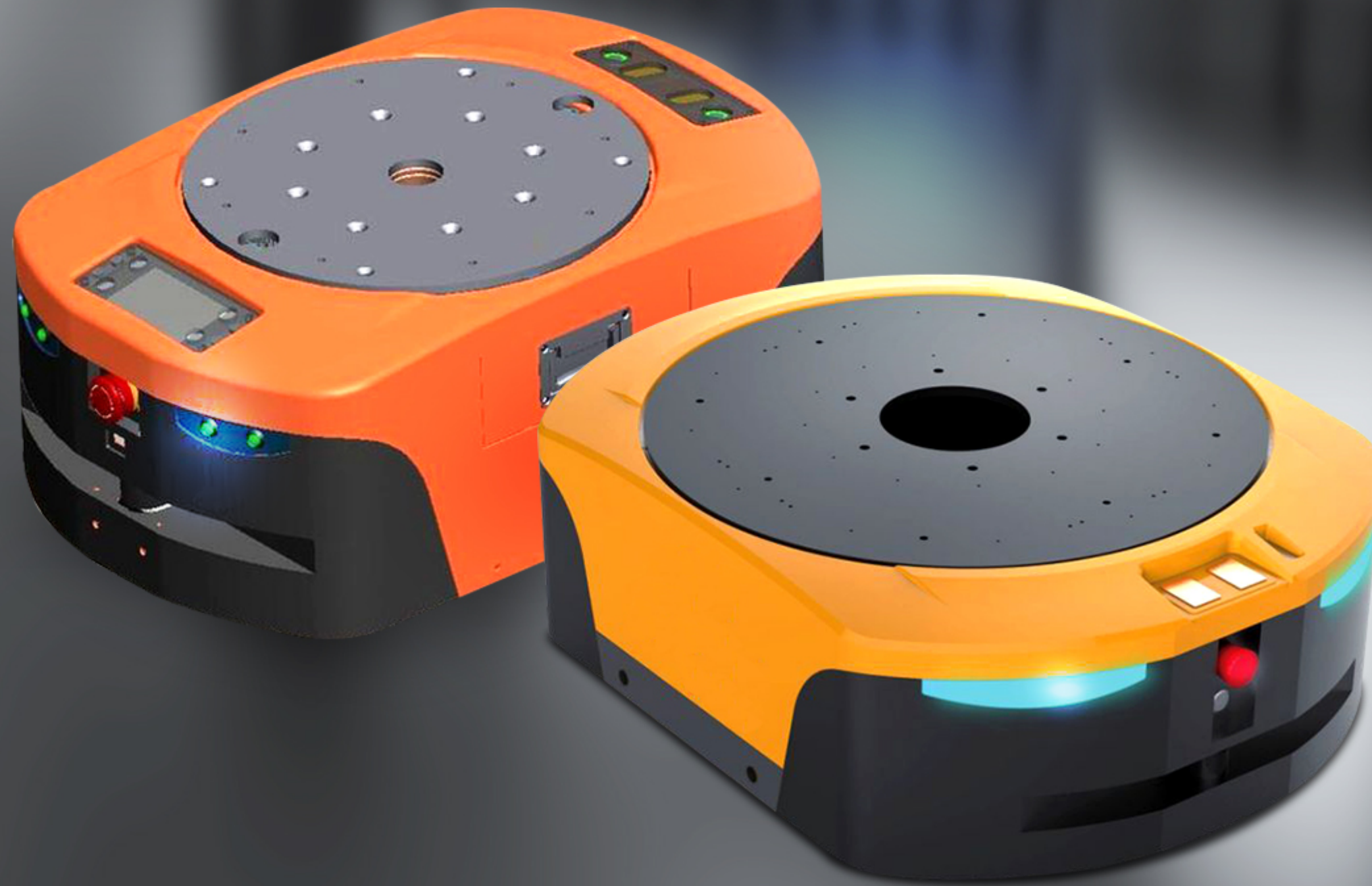


# All-purpose Small Elfin







- 01 | Small Elfin parameters and features
- 02 | Application 1: lurking and towing type
- 03 | Application 2: towing ty
- 04 | Application 3: load transfer tray type
- 05 | Application 4: load transfer roller conveyor type

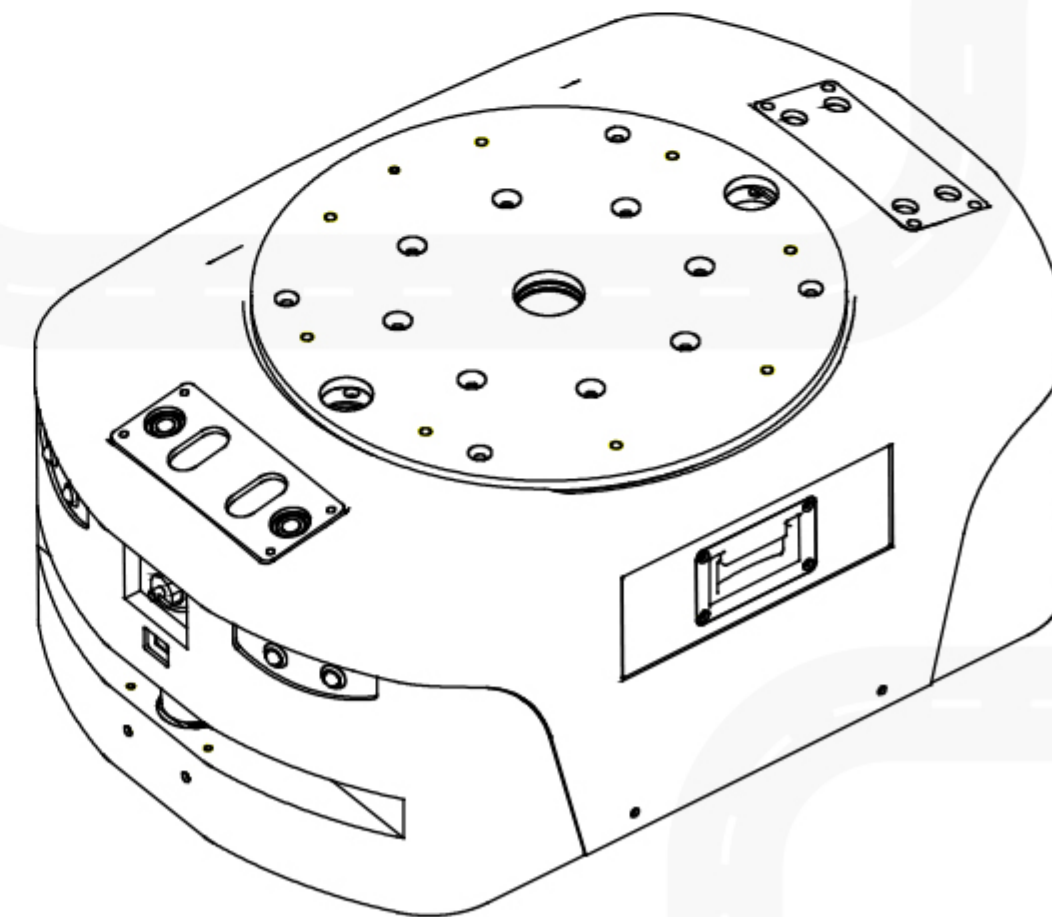
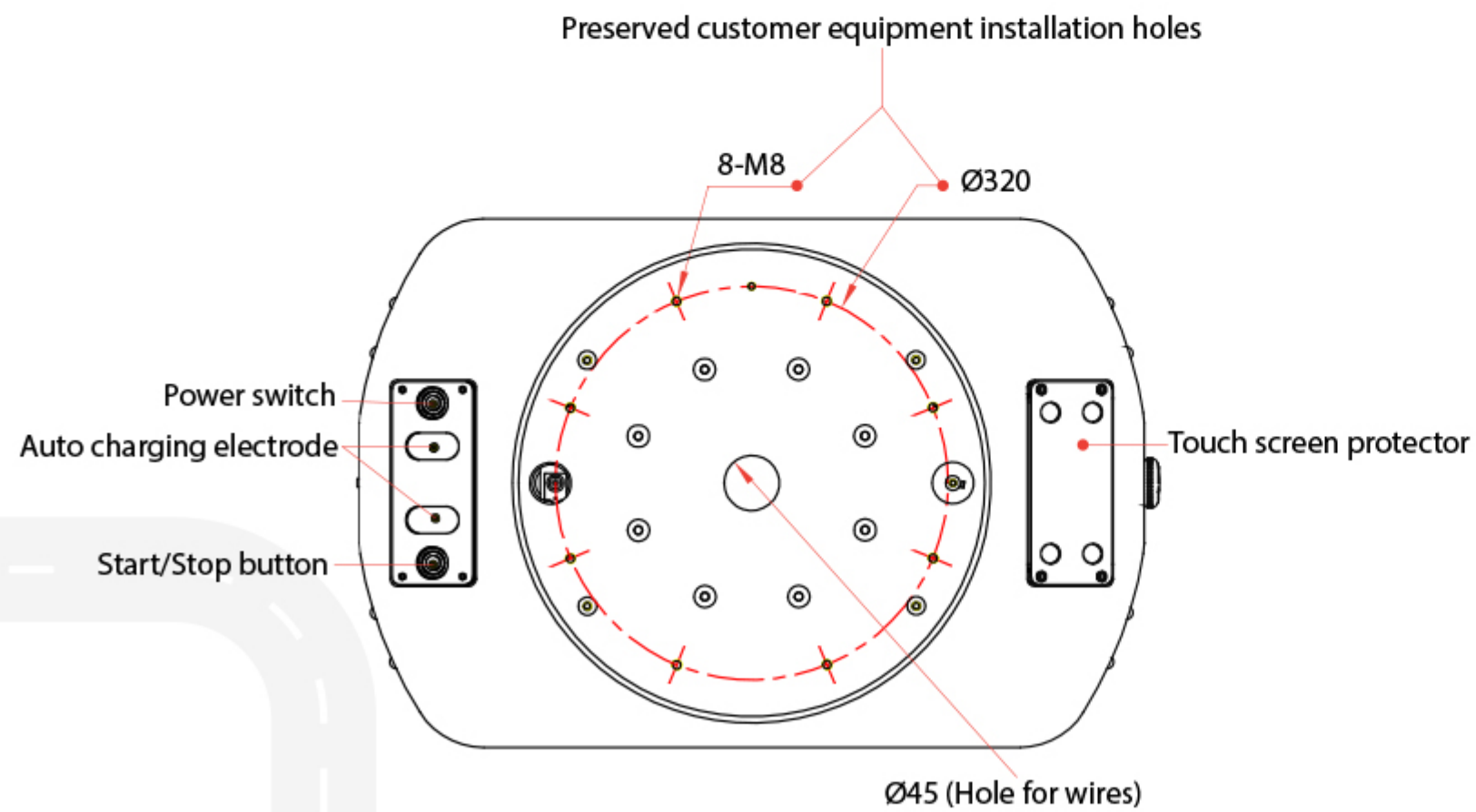
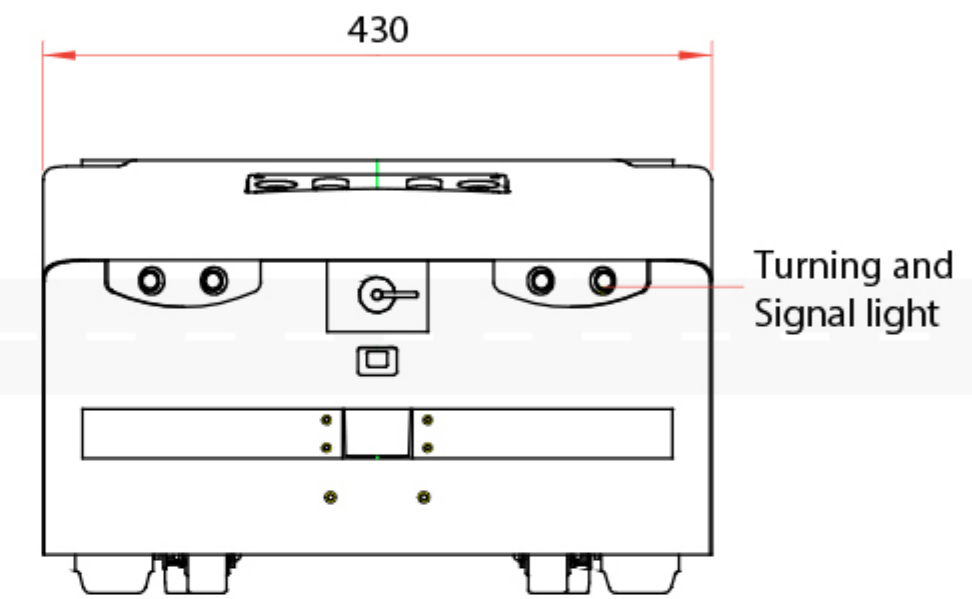
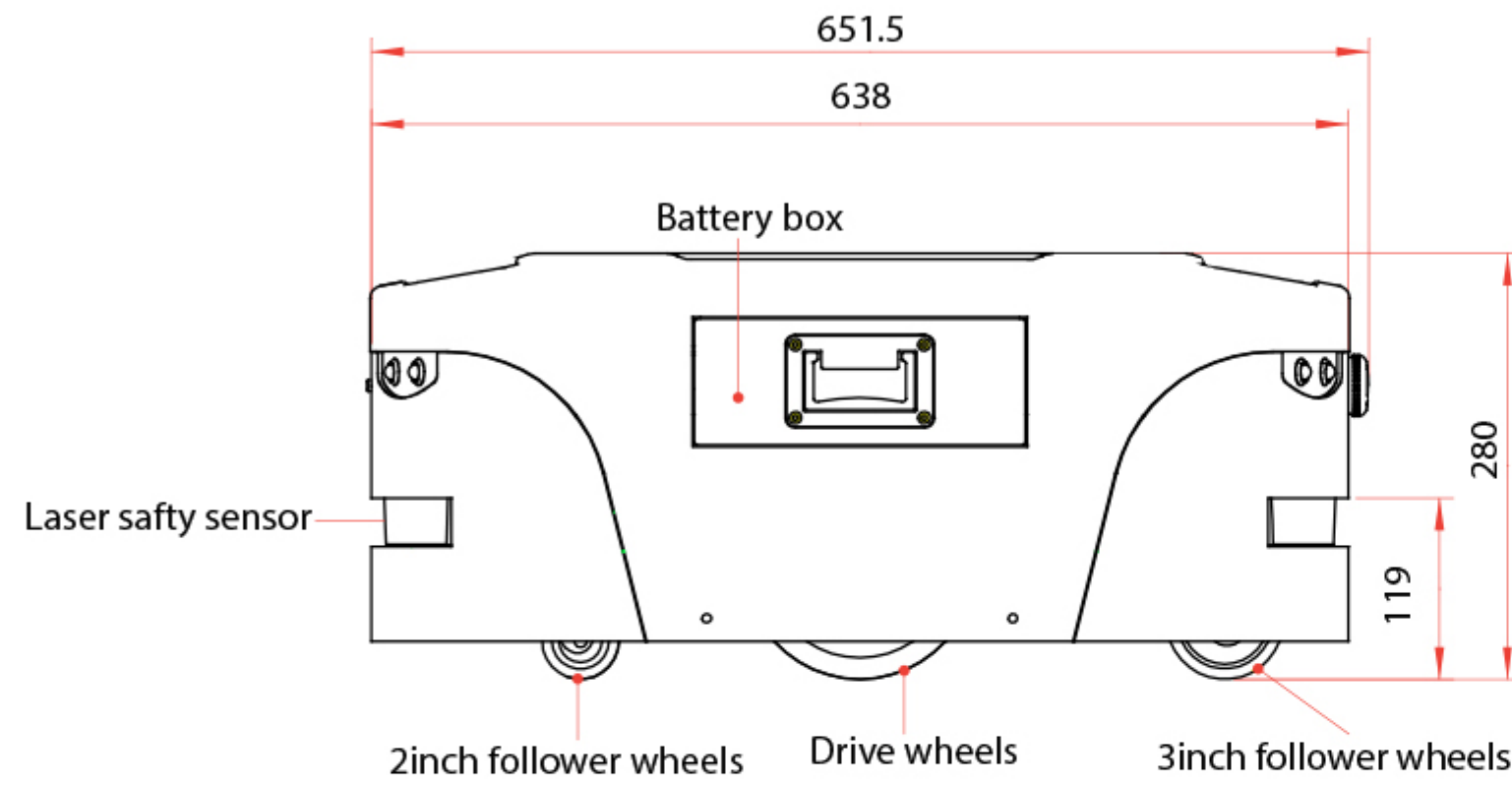
## 01 | Small Elfin parameters and features



- ✓ AGV type: Small Elfin
- ✓ AGV size: L650\*W430\*H280mm
- ✓ Load volume:  $\leq 300\text{kg}$
- ✓ Charging mode: automatic or manual charging
- ✓ Charging mode: magnetic tape navigation
- ✓ Communication: WLAN
- ✓ Speed: 0-60m/min
- ✓ Features: agile , fast

## 01 | Small Elfin parameters and features

### SIZE





## 01 | Small Elfin parameters and features

DETAILED SPECIFICATION	
AGV type	Small ELFIN
Control mode	MCU
Moving direction	Forward,backward, left right turning, fork way choosing, 90°turning
Communication	WLAN
Load volume	≤300KG
Safety protection	Laser obstacle sensor
Navigation	Magnetic tape
Accuracy	±10mm
Grade ability	≤3°
Stop accuracy	±10mm
Alarm	Light and sound alarm
Charging	Auto charging
Battery volume	10AH
Moving speed	0 ~ 60m/min
Drive mode	Differential drive
Drive voltage	DC48V
Safety sensor scanner	Angle 0 ~ 180 degree, distance 0 ~ 3m adjustable
Battery lifespan	Consecutive charging and discharging ≥2500 times

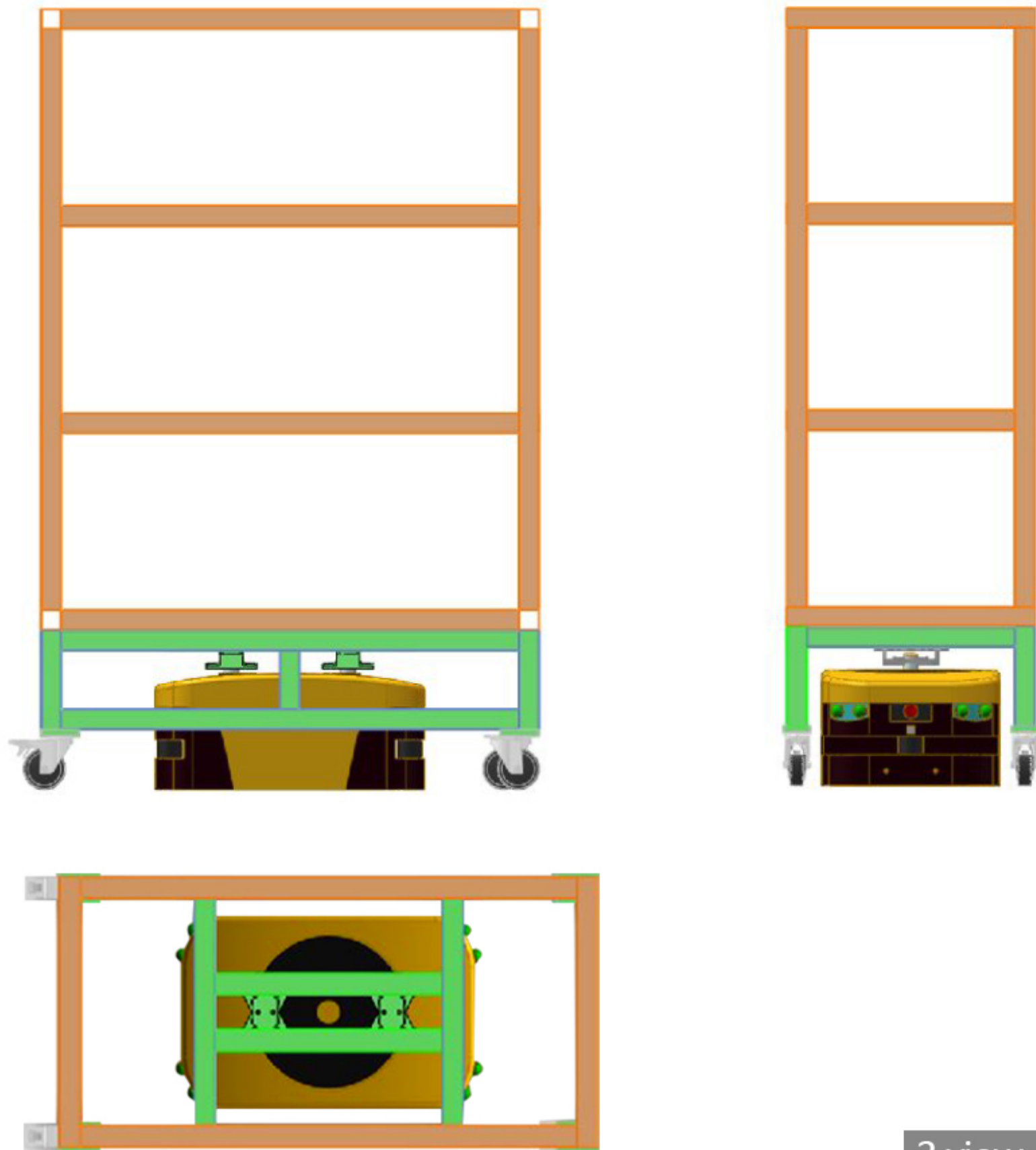
## 01 | Small Elfin parameters and features

### ADVANTAGES

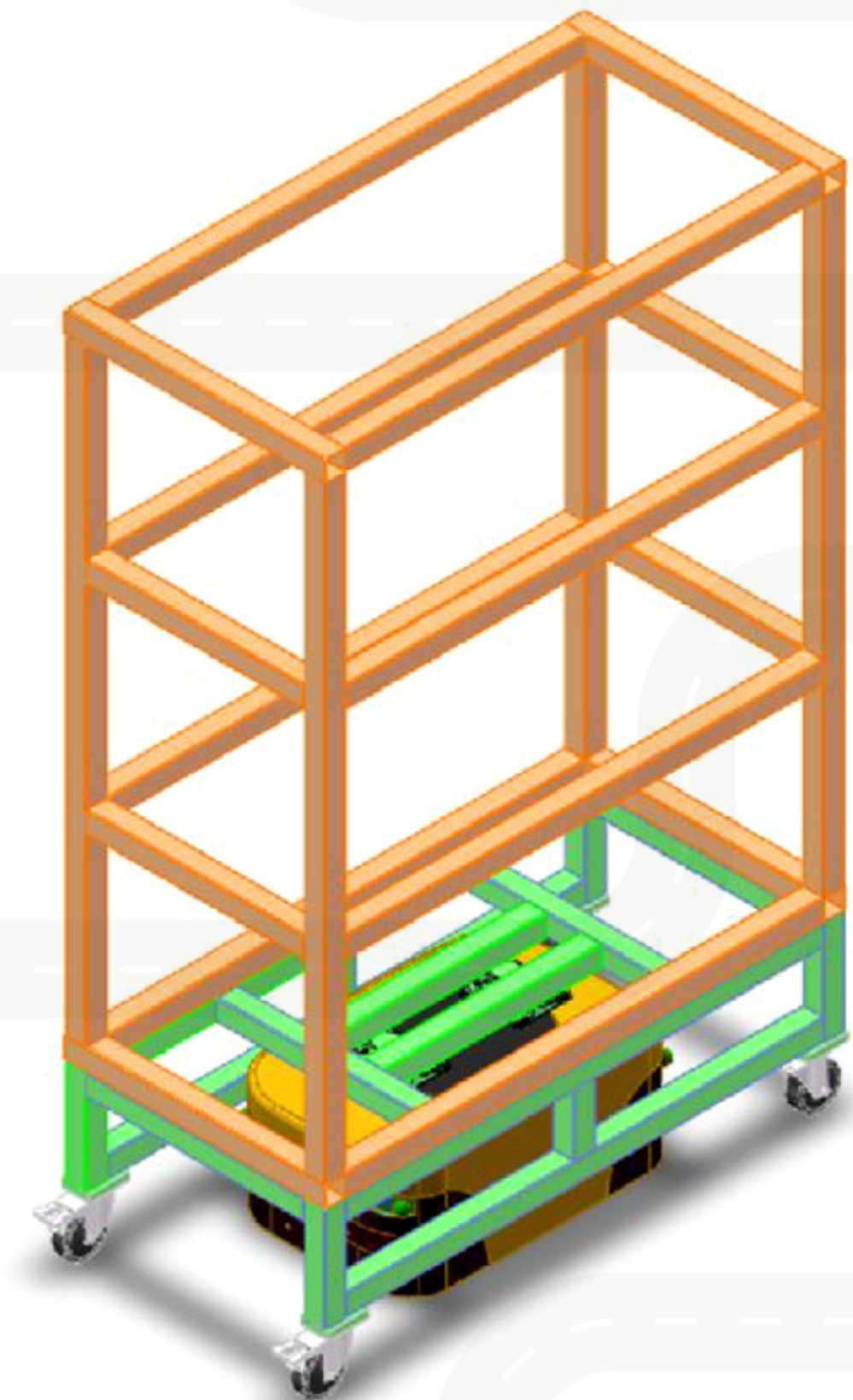
AGV type	Straight moving speed 60 m/min, faster than normal AGV
Small	Compact vehicle structure, small size, require small working space, adapt different working conditions
Robust	Vehicle body materials are Q235, round tray is alloy, robust and sturdy
Agile	Rotate any direction, equals to move forward and side direction
Intelligent	Automatically charging, free of maintenance
Appearance	in line with the popular aesthetic standard, looks ele
Steady	Compact structure, components layout reasonable; able to work steady when the AGV moves in high speed
Economical	Optimum modularized components, customers able to choose different parameters according to different functions requirement

## 02 | Application 1A: Lurking and towing

### A. LURKING AND TOWING (0-100KG)



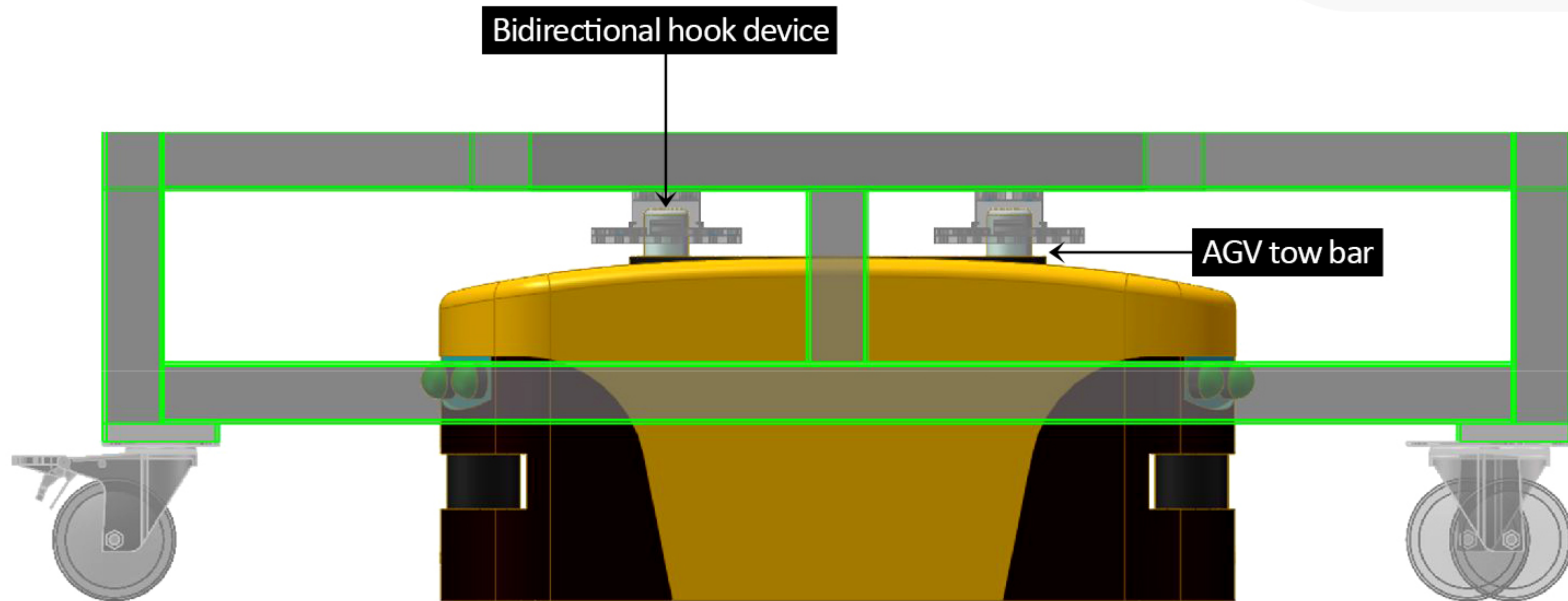
3 view drawing






## 02 | Application 1A: Lurking and towing

### A. LURKING AND TOWING (0-100KG)



 **SEE THE PICTURE:** 2 hook devices connecting the trolley and AGV, fast and efficiency, able to switch moving direction.

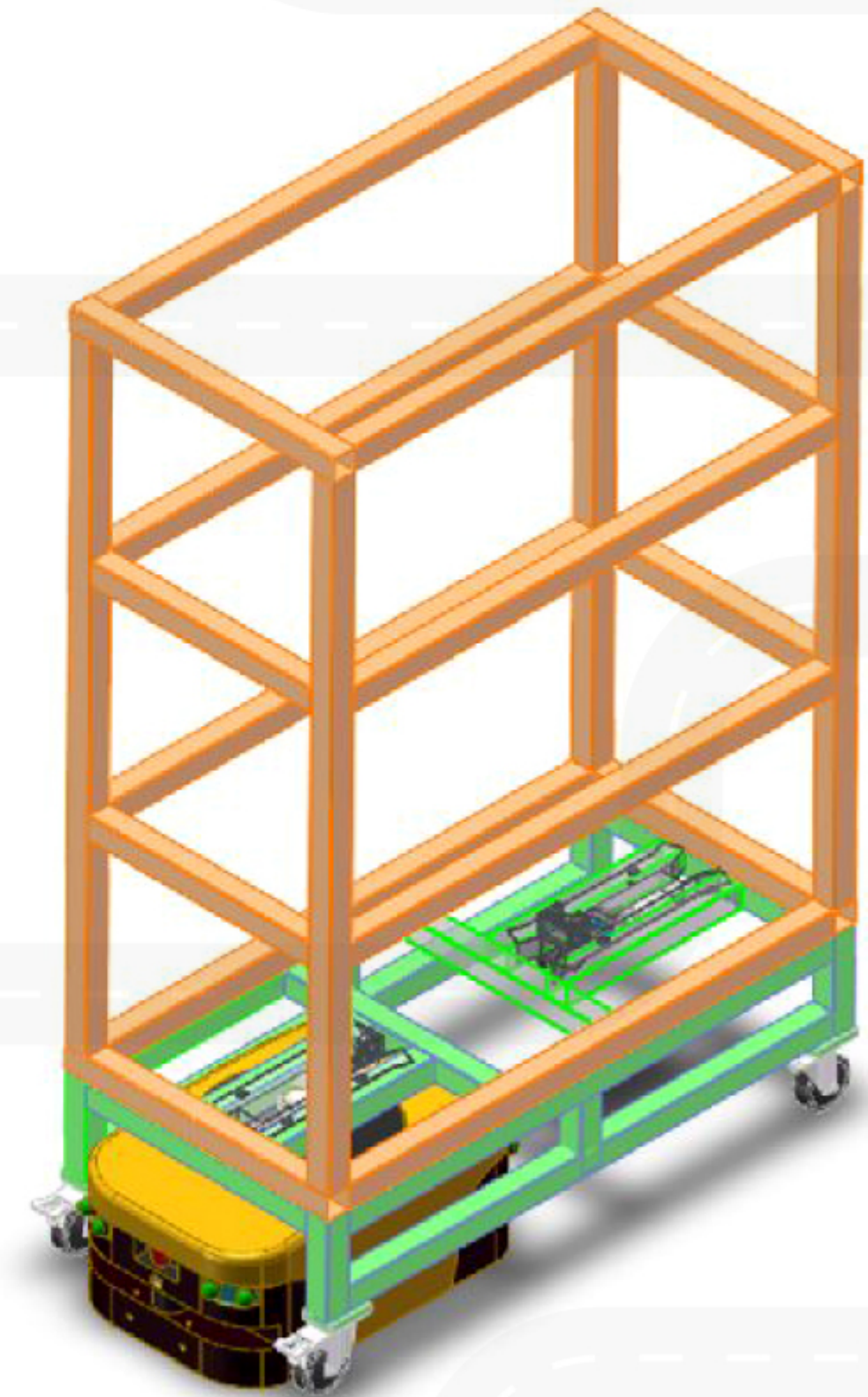


## 02 | Application 1B: Lurking and towing

### B. LURKING AND TOWING (100KG-300KG)



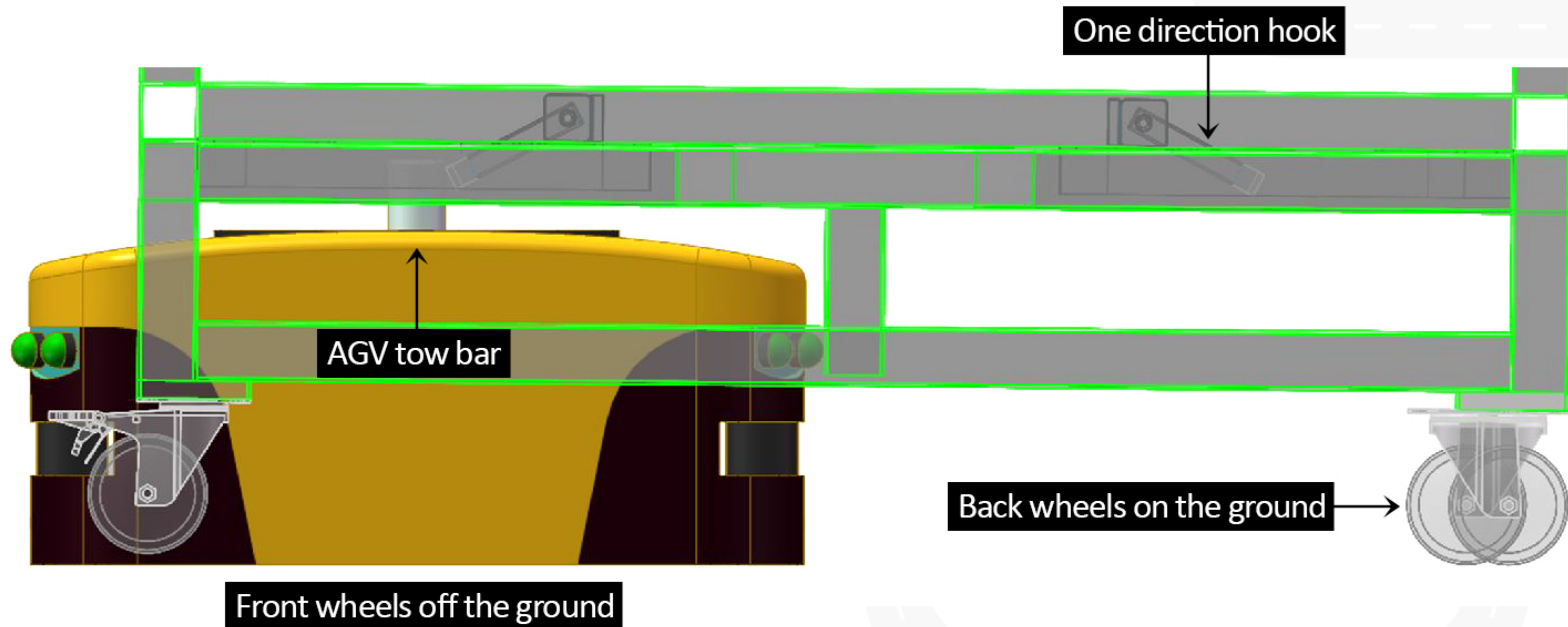
3 view drawing






## 02 | Application 1B: Lurking and towing

### B. LURKING, LIFTING(A LITTLE) AND TOWING (100KG-300KG)

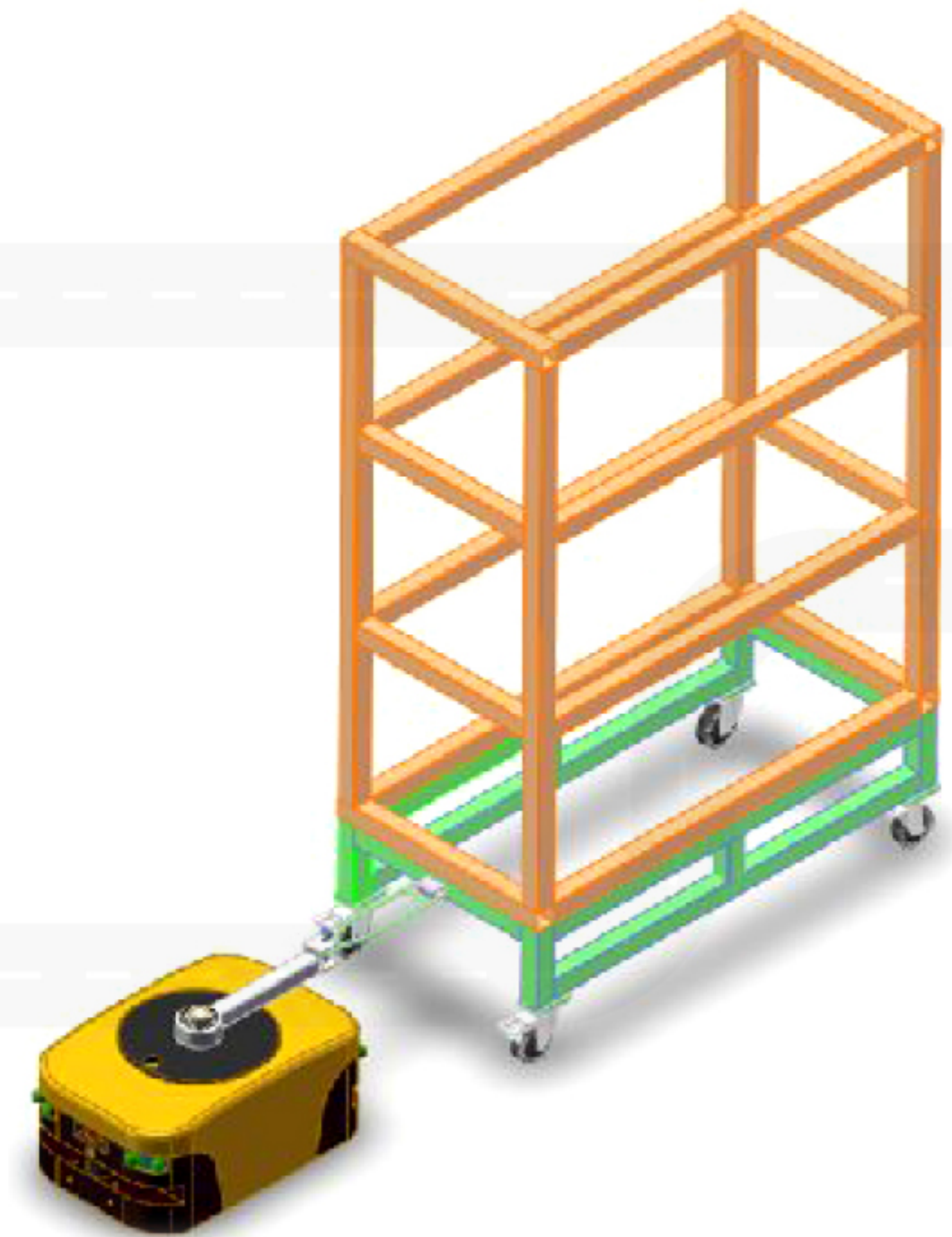
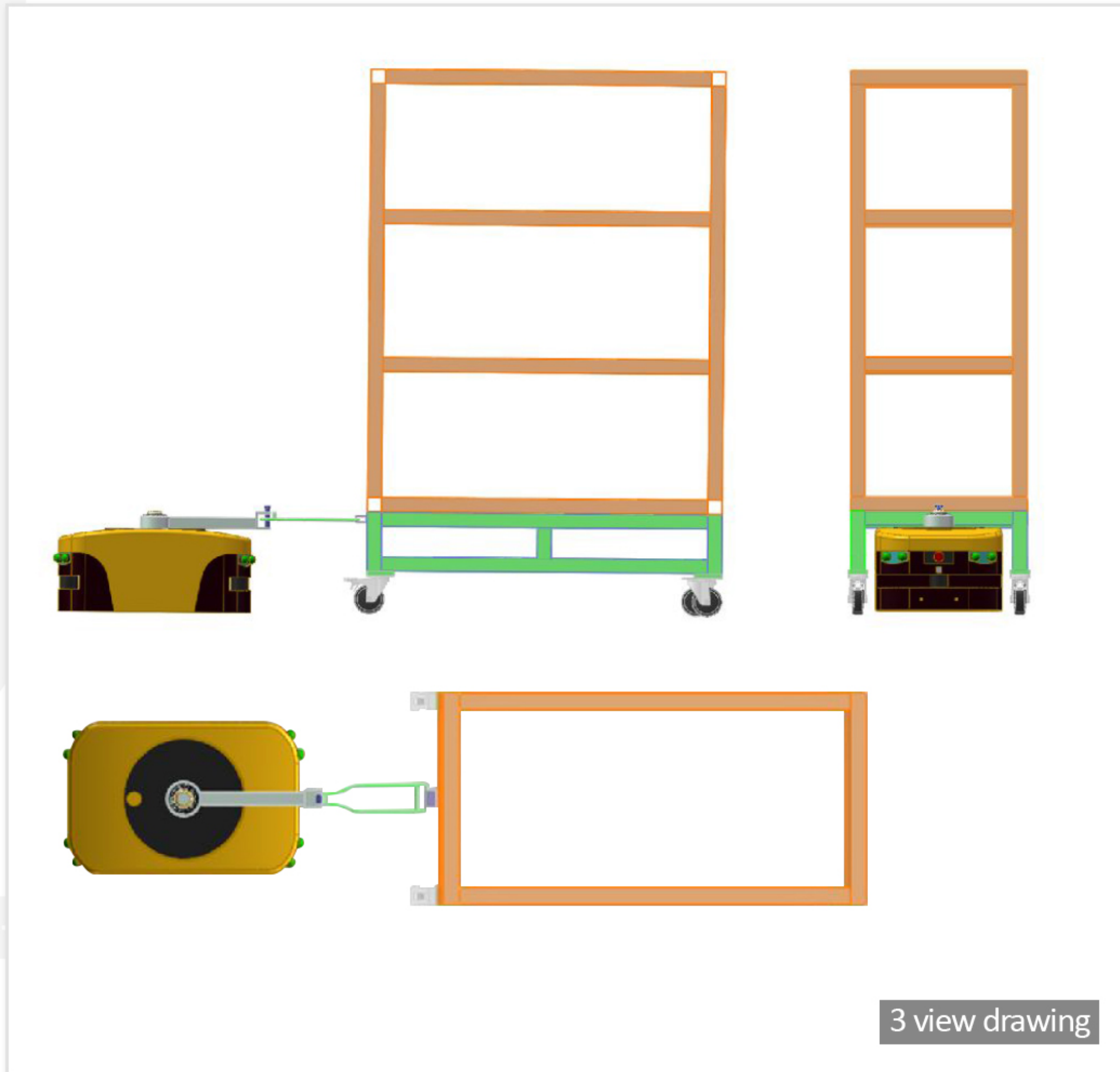


 **SEE THE PICTURE:** when AGV is towing big load volume trolley, because AGV is small and light weight, to make the transportation of the trolley more steady, AGV will lift the trolley from one side with a tow bar(front wheel a little off the ground, 2~5mm clearance), to make the loads of the trolley bear directly onto the AGV, gives the AGV higher friction force, moves more steady.

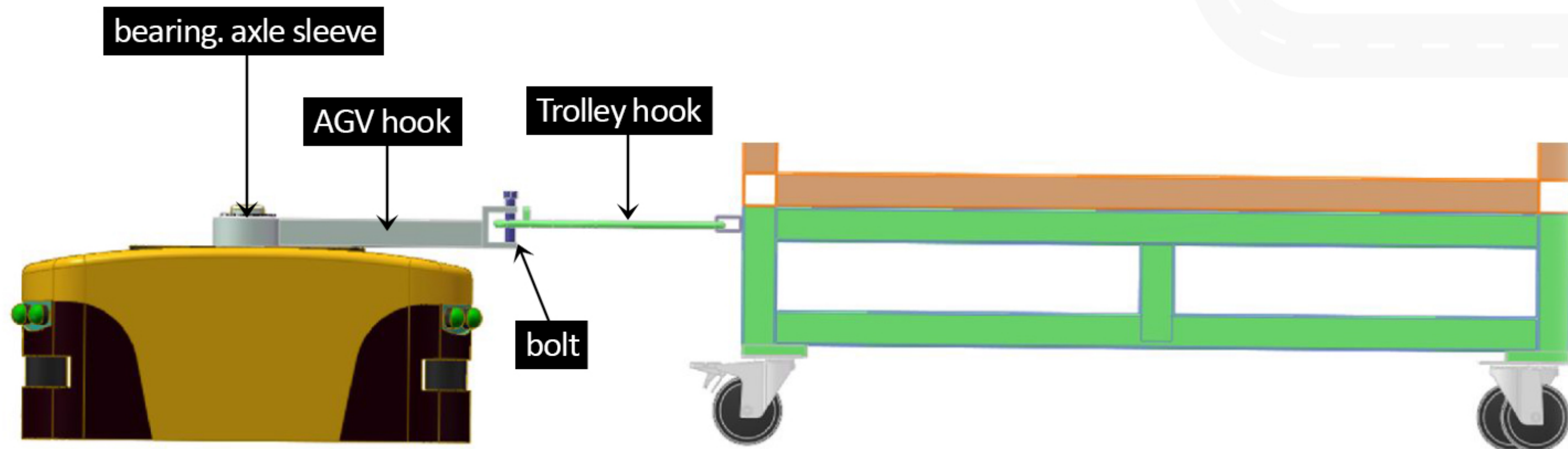
※ Notice: when AGV changes moving direction, the tow bar need to drop, and raise again when it moves to another side of the trolley



## 03 | Application 2: towing type AGV



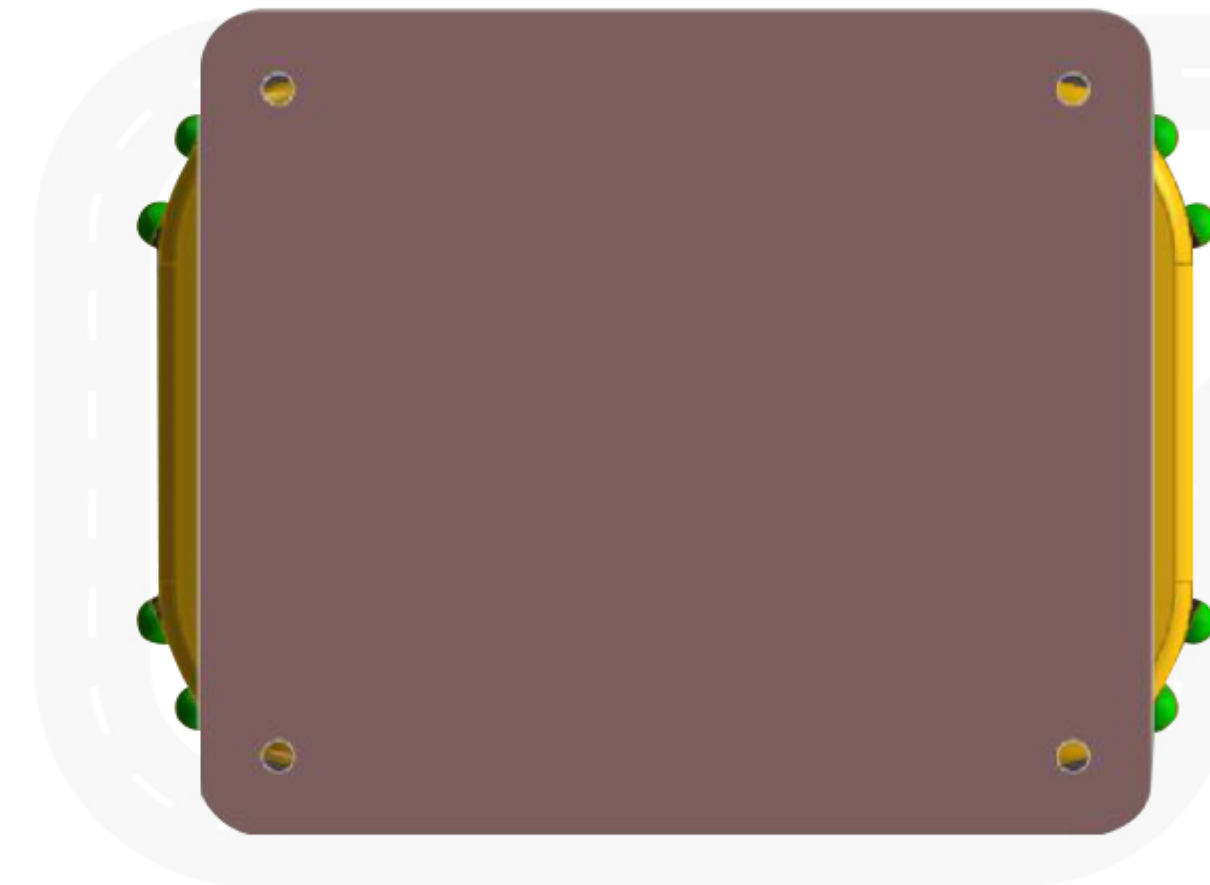
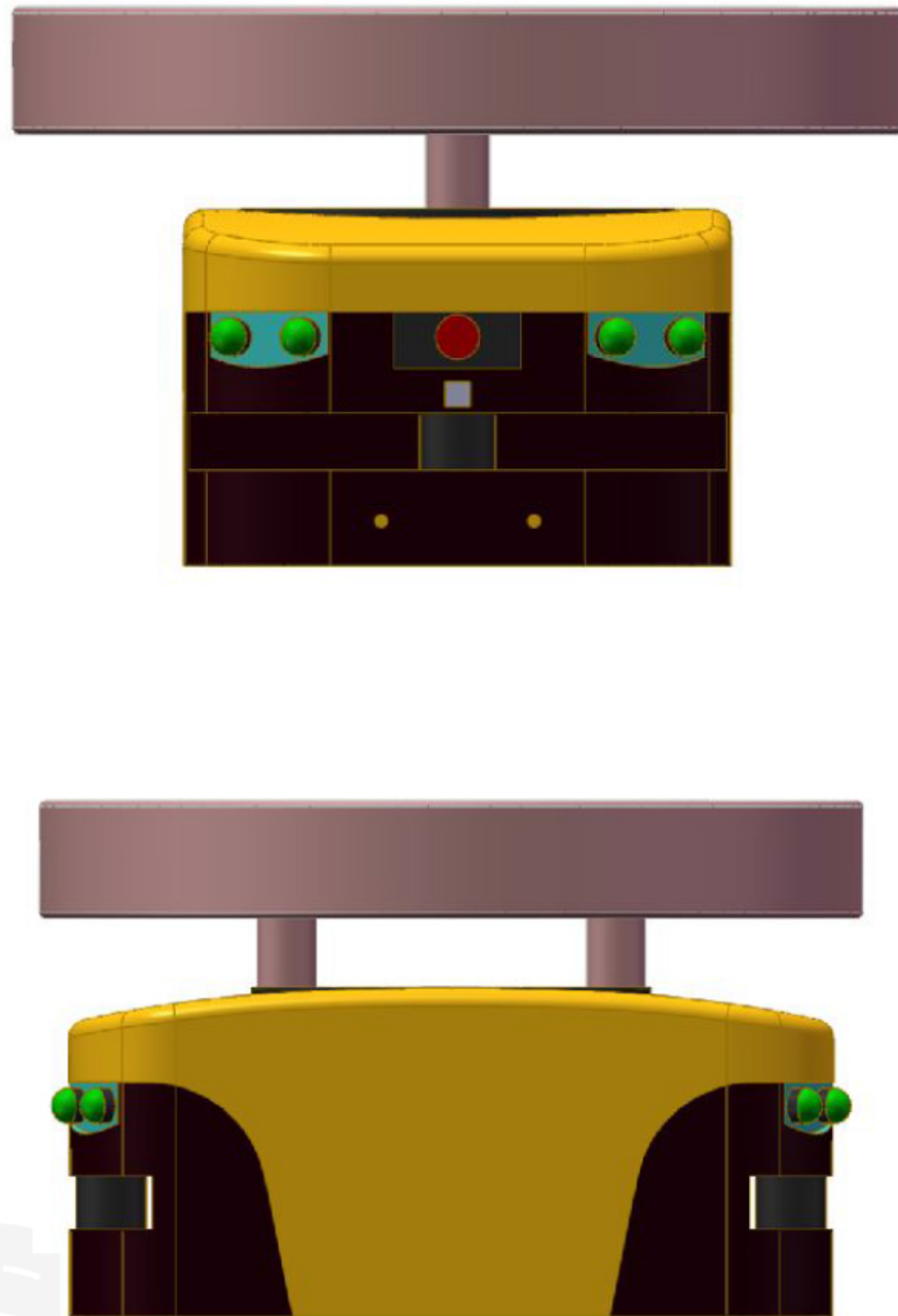
## 03 | Application 2: towing type AGV



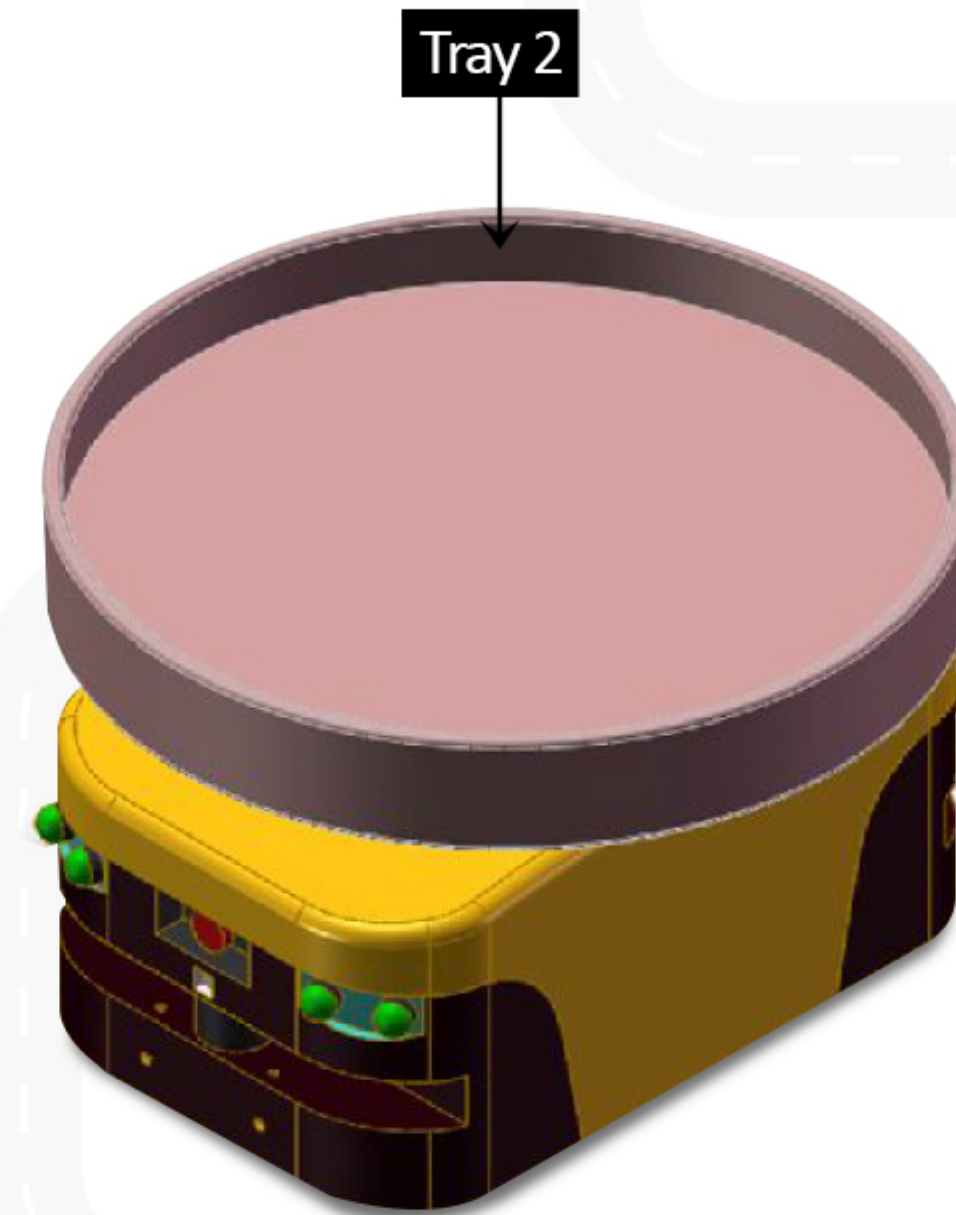
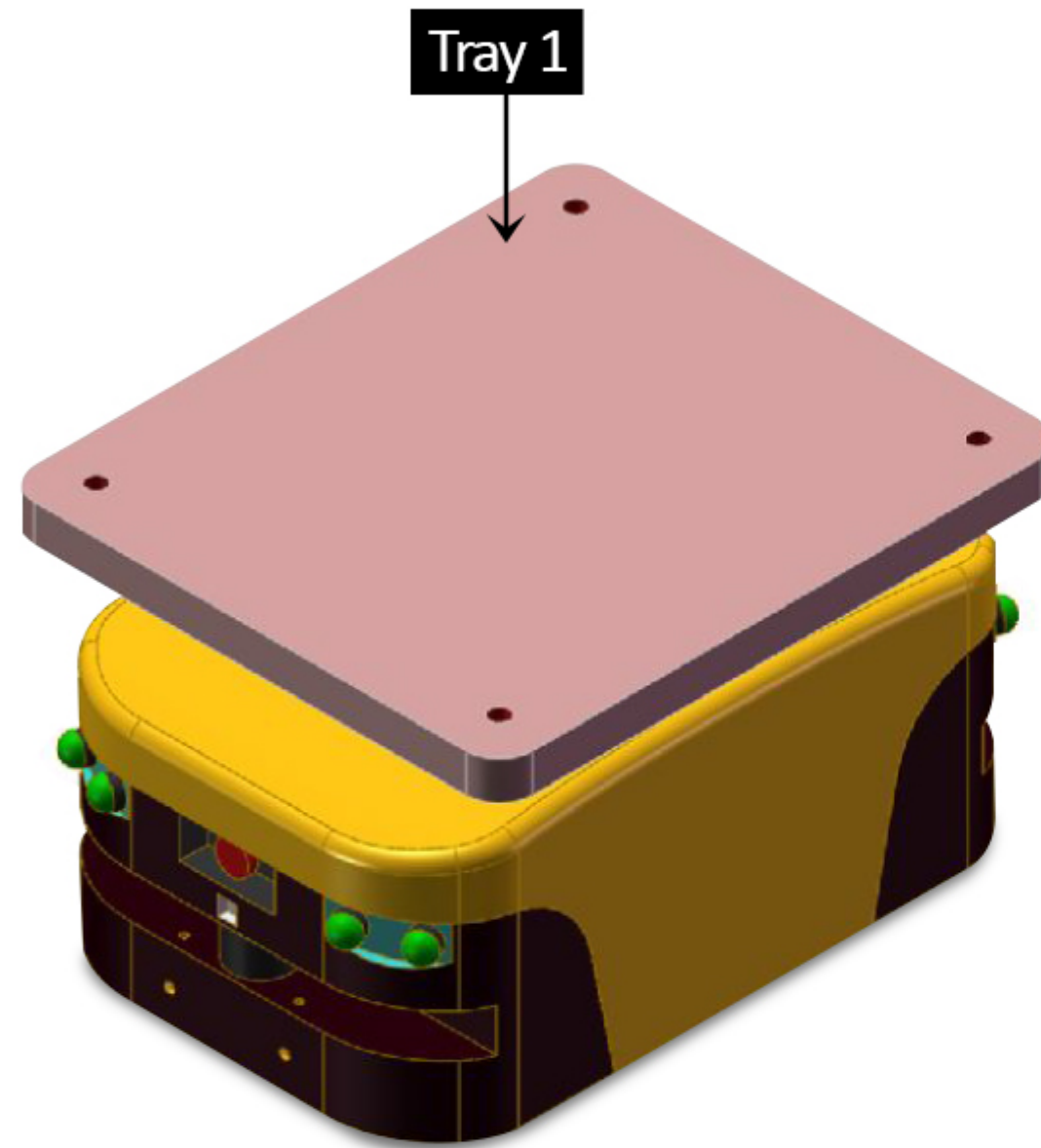
**SEE THE PICTURE:** AGV tows the trolley and easy to turn




## 04 | Application 3: load transfer tray type AGV



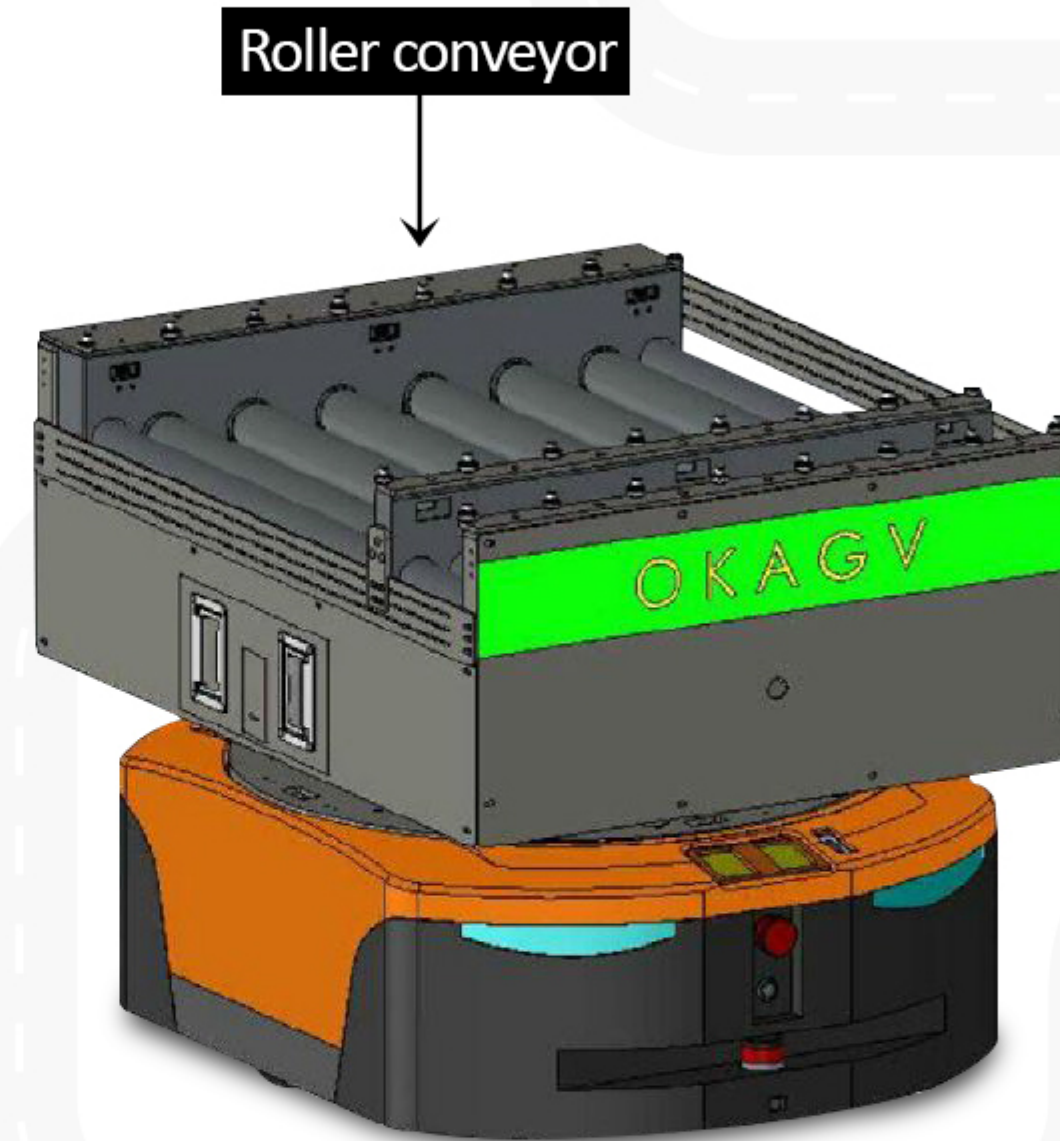
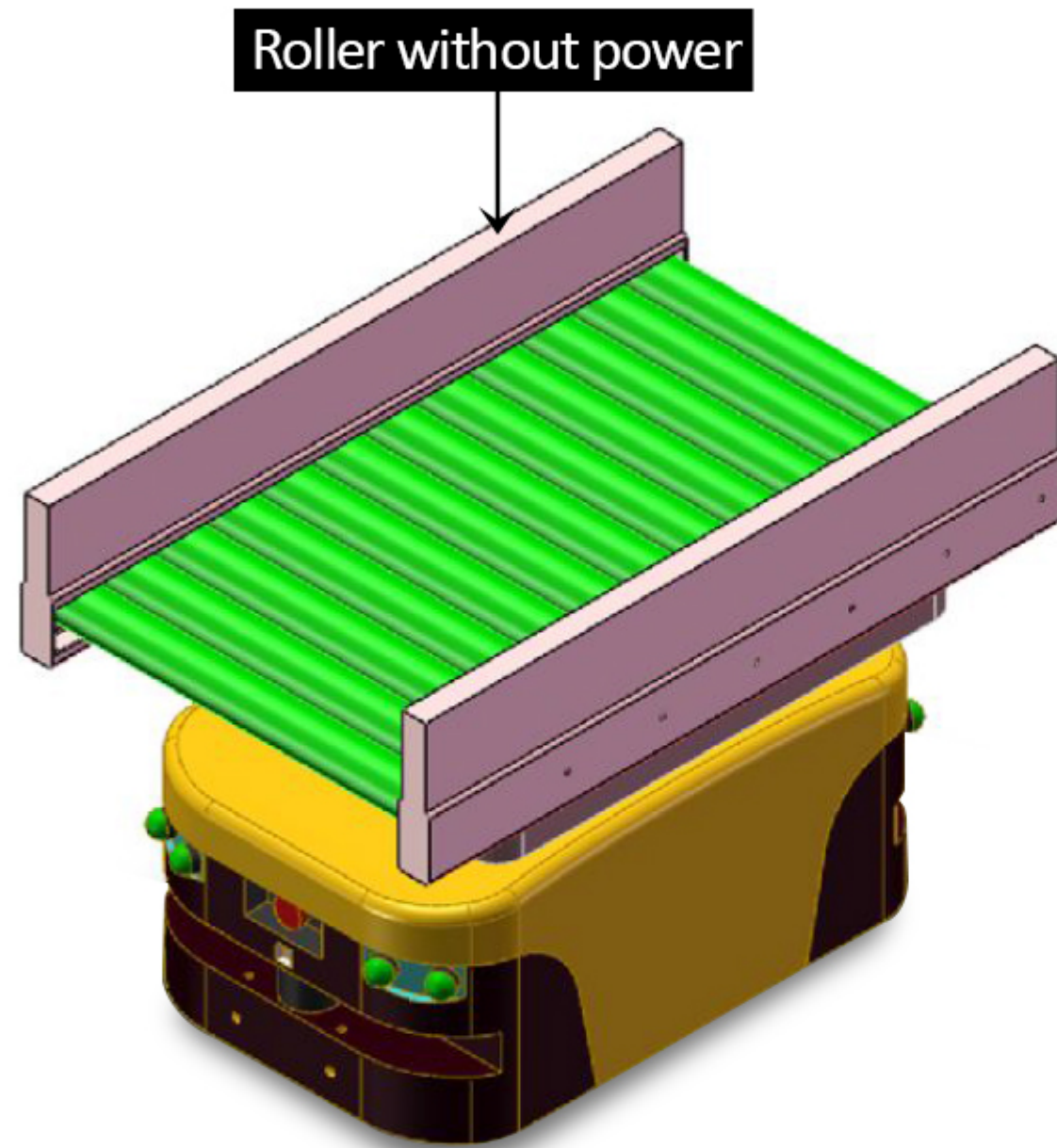
## 04 | Application 3: load transfer tray type AGV




 **SEE THE PICTURE:** the tray on top of the AGV is fast install/uninstall; different kinds of trays or fixtures or racks can be installed to meet various materials transfer requirement.



## 04 | Application 3: load transfer tray type AGV



 **SEE THE PICTURE:** Different fixtures mounted on the AGV, besides above roller and roller conveyors, belt conveyor is also available.





ADVANCED  
MECHATRONICS  
SOLUTIONS, INC

AUTOMATION, SMT & LEAN MANUFACTURING

# Thank you!

To view additional products..

[www.ams-fa.com](http://www.ams-fa.com)

